




Single Phase schuko rubber plug

200 250 V ~

16 A

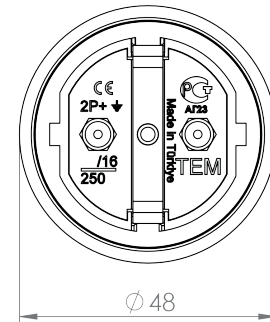
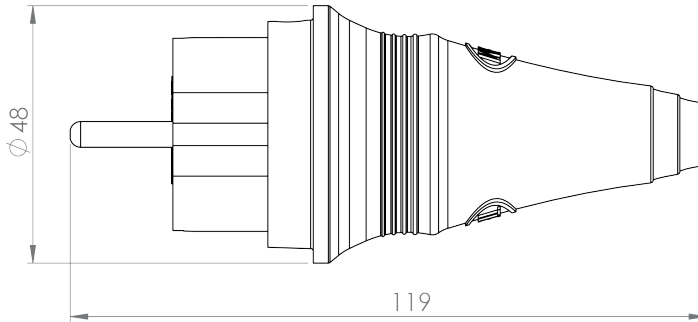
2P + P 


CODE: 215.116.301

## TECHNICAL DETAILS



Designation:	Schuko / German Angled Plug 2P+E
Connection Method:	3 Pole Screw Terminal 16A Max (2,5mm <sup>2</sup> ) with strain relief angel
Standard:	DIN 49440 1:2006 01
Net Weight:	63 gr
Case Cover Plastic Material:	Thermoplastic Elastomer TP
Contact Contacting Plastic Material:	Copolymer
Cable Holder Plastic Material:	PA6
Terminal Method:	Screw Cq 22
Operating Temperature:	20 °C ( 4 °F) ... +80 °C (+176 ° F)



		Inner Quantity	Dimensions	Gross Weight	CBM
 <b>Packing Details:</b>	Box	24pcs	21x29x12cm	1.705kg	2.44
	Cardboard	312pcs	48x53x42cm	23.100kg	35.62