

Rubber four way wall multi socket

200 250 V ~

16 A

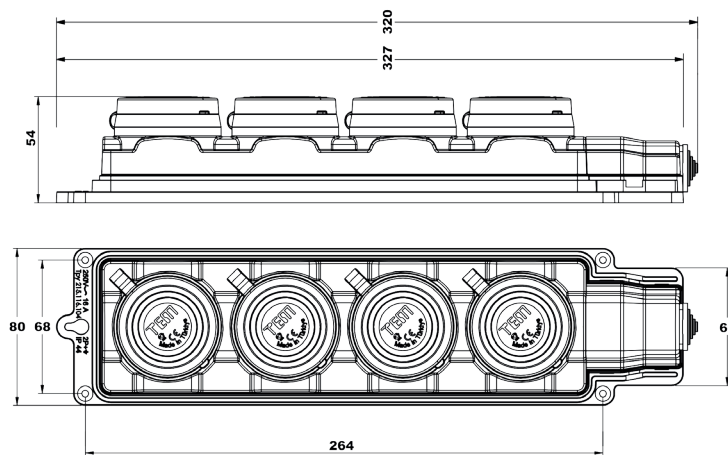
2P +  $\perp$

CODE: 215.116.104

## TECHNICAL DETAILS



Designation:	Schuko / German Socket 2P+E
Connection Method:	3 Pole Screw Terminal 16A Max (2,5mm <sup>2</sup> ) with strain relief angel
Standard:	DIN 49440 1:2006 01
Net Weight:	353 gr
Case Cover Plastic Material:	Thermoplastic Elastomer
Contact Contacting Plastic Material:	Copolymer
Cable Holder Plastic Material:	PA6
Screw:	Cq 22
Busbar:	MS 58 Brass



### Packing Details:

	Inner Quantity	Dimensions	Gross Weight	CBM
Box	8pcs	24x36x17cm	3.090kg	4.90
Cardboard	48pcs	50x58x38cm	18.540kg	36.73