



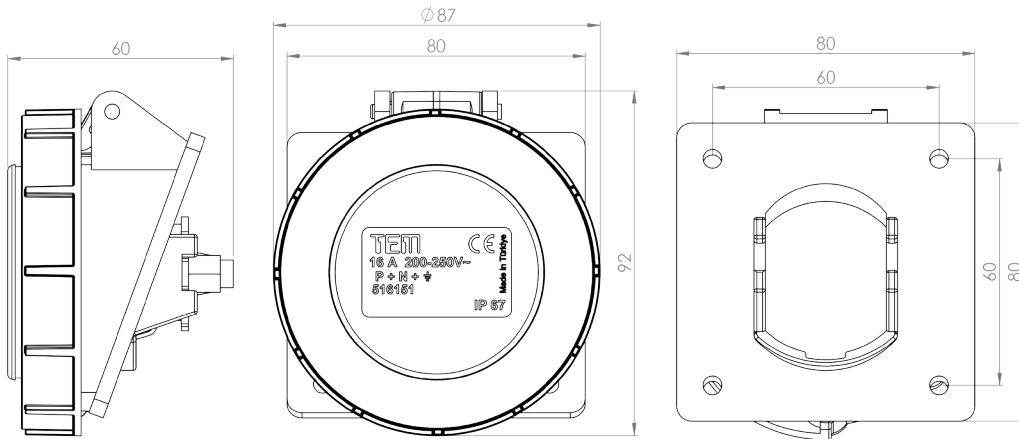
Panel Mounting Schuko Socket
Schuko Socket with Locking Cover
200 250 V ~
16 A
2P + \perp

CODE: 670.116.160

TECHNICAL DETAILS



Designation:	German Type Panel Socket 2P+E
Ingress Protection:	IP67
Connection Method:	3 Pole Screw Terminal 16A Max (2,5mm ²) with strain relief angel
Standard:	DIN 49440 1:2006 01
Net Weight:	139gr
Contact-Contacting Plastic Material:	Copolymer
Screw:	Cq 22
Contact Material:	MS 58 Brass



		Inner Quantity	Dimensions	Gross Weight	CBM
Packing Details:	Box	12pcs	21x29x112cm	1.958kg	2.44
	Cardboard	156pcs	49x54x42cm	25.085kg	37.04