




Wall Mounting Socket with straight box

380 - 415 V ~

32 A

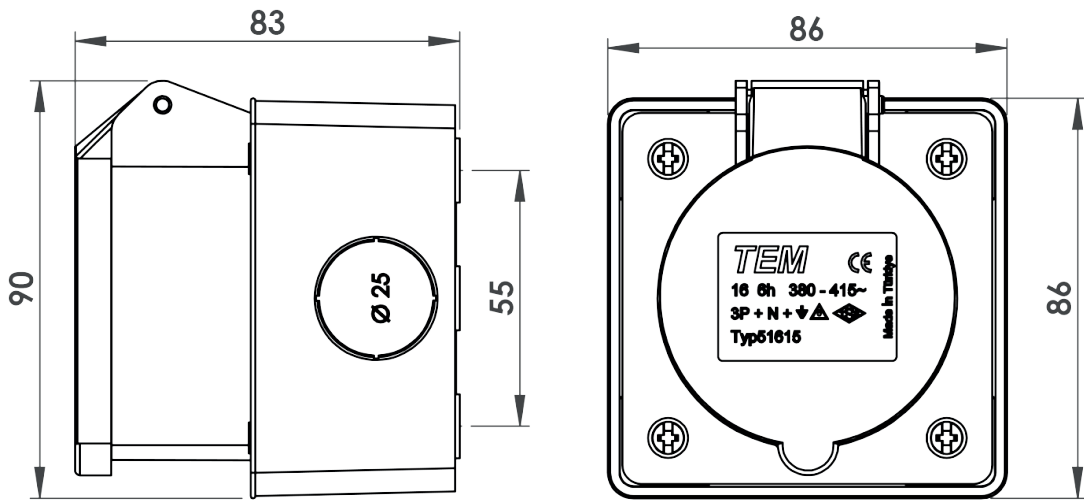
3P + 


CODE: 544.332.151

## TECHNICAL DETAILS



Designation:	Wall Mounting Socket with straight box 3P+E
Connection Method:	3-Pole Screw Terminal 32A Max (2,5mm <sup>2</sup> ) with strain relief angel
Standard:	DIN 49440-1:2006-01
Net Weight:	191 gr
Easy-Cover Plastic Material:	Thermoplastic Elastomer TP
Contact-Contacting Plastic Material:	Copolymer
Cable Holder Plastic Material:	PA6
Terminal Method:	Screw Cq - 22
Operating Temperature:	-20 °C (-4 °F) ... +80 °C (+176 ° F)



		Inner Quantity	Dimensions	Gross Weight	CBM
 <b>Packing Details:</b>	Box	12pcs	24x29x16cm	2.495kg	3.71
	Cardboard	120cs	58x50x49cm	26.210kg	47.37
	Pallet	-pcs	-cm	-kg	-kg