



Three phase plug

380 - 415 V ~

25A

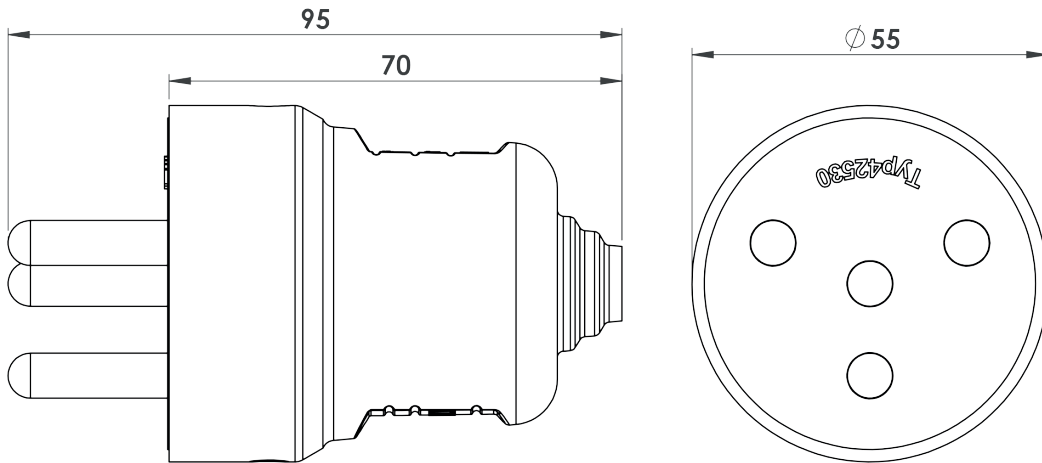
3P +  $\perp$

CODE: 540.425.300

## TECHNICAL DETAILS



Designation:	Three phase plug 3P+E
Connection Method:	3-Pole Screw Terminal 25A Max (2,5mm <sup>2</sup> ) with strain relief angel
Standard:	DIN 49440-1:2006-01
Net Weight:	98 gr
Casy-Cover Plastic Material:	Thermoplastic Elastomer
Contact-Contacting Plastic Material:	Copolymer
Cable Holder Plastic Material:	PA6
Screw:	Cq - 22



		Inner Quantity	Dimensions	Gross Weight	CBM
<b>Packing Details:</b>	Box	24pcs	24x29x16cm	2.592kg	3.71
	Cardboard	288pcs	58x50x49cm	32.365kg	32.37
	Pallet	-pcs	-cm	-kg	-kg