



Product type:

Combination Box

K200

Dimension:

211 x 280 x 103 mm

8.3 x 11 x 4 inch

CODE: 455.0000.0000.000

TECHNICAL DETAILS



Materials:

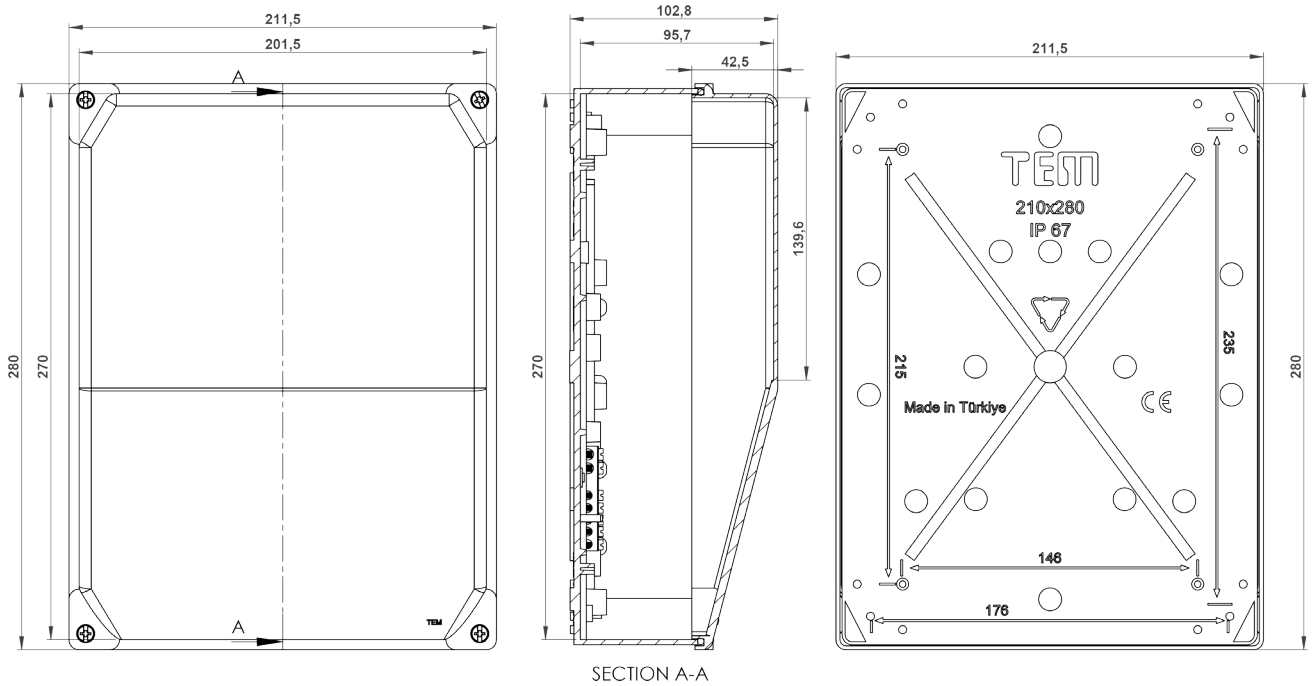
Plastic Opaque Cover: ABS RAL 7035 -Light Grey
 Plastic Transparent Cover: Polycarbonate -Grey Transparent
 Plastic Case Body: ABS RAL 7035 -Light Grey
 Gasket: Polyurethane

Rating:

Standard: EN 60670-1
 Ingress Protection (EN 60529): IP67
 Impact Resistance (EN 60068-2-75): IK10
 Electrical insulation: Totally insulated
 Halogen Free

Temperatures:

Continuous °C : -25 ... +60 °C



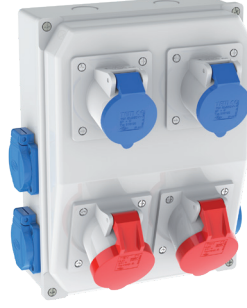
SECTION A-A

| | | Inner Quantity | Dimensions | Gross Weight | CBM |
|-------------------------|-----------|----------------|------------|--------------|-------|
| Packing Details: | Box | 1pcs | 21x29x12cm | 1.41kg | 2.44 |
| | Cardboard | 27pcs | 74x52x59cm | 34.50kg | 72.61 |



455.0000.4160.028

2(4x16A) CEE IP44
8(1x16A) Schuko IP54



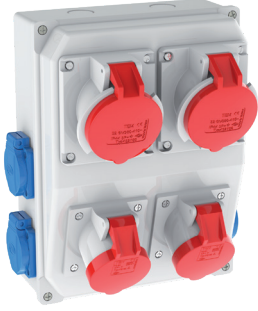
455.4160.3160.224

2(4x16A) CEE IP44 / 2(3x16A) CEE IP44
4(1x16A) Schuko IP54



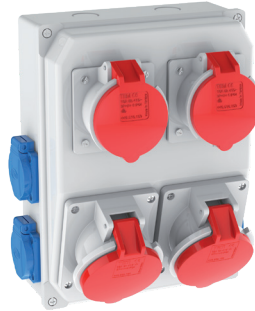
455.3320.3160.224

2(3x32A) CEE IP44 / 2(3x16A) CEE IP44
4(1x16A) Schuko IP54



455.4160.4320.224

2(4x16A) CEE IP44 / 2(3x32A) CEE IP44
4(1x16A) Schuko IP54



455.5320.5160.224

2(5x32A) CEE IP44 / 2(5x16A) CEE IP44
4(1x16A) Schuko IP54



455.0000.5320.024

2(5x32A) CEE IP44
4(1x16A) Schuko IP54



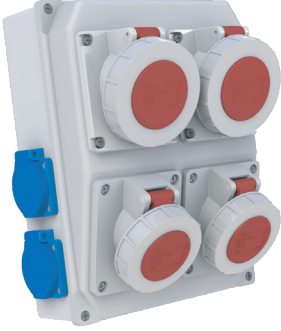
455.0000.5321.040
4(5x32A) CEE IP67



455.3321.5321.220
2(3x32A) CEE IP67
2(5x32A) CEE IP67



455.4321.5321.220
2(4x32A) CEE IP67
2(5x32A) CEE IP67



455.4321.4161.224
2(4x32A) CEE IP44 / 2(4x16A) CEE IP44
4(1x16A) Schuko IP54



455.4320.5160.220
2(4x32A) CEE IP44 / 2(5x16A) CEE IP44



Product type:

Combination Box

K200

Dimension:

211 x 280 x 103 mm

8.3 x 11 x 4 inch

CODE: 355.0000.0000.000

TECHNICAL DETAILS



Materials:

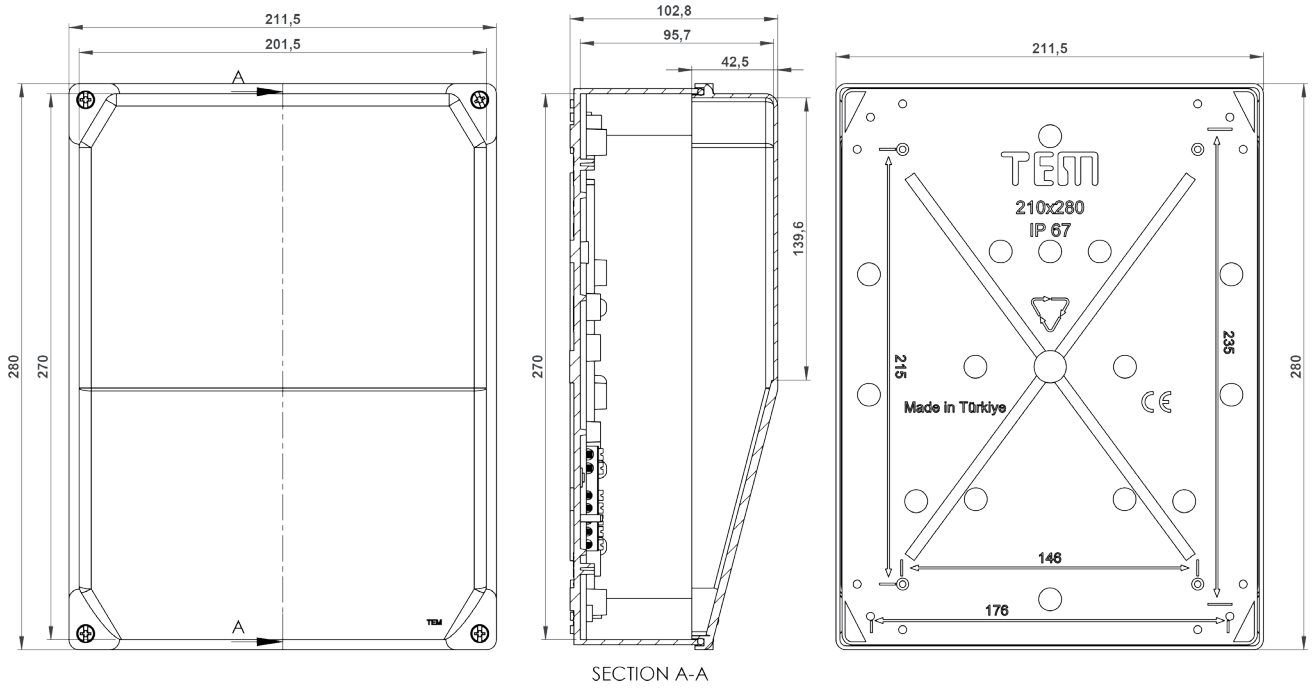
Plastic Opaque Cover: ABS RAL 7035 -Light Grey
 Plastic Transparent Cover: Polycarbonate -Grey Transparent
 Plastic Case Body: ABS RAL 7035 -Light Grey
 Gasket: Polyurethane

Rating:

Standard: EN 60670-1
 Ingress Protection (EN 60529): IP44
 Impact Resistance (EN 60068-2-75): IK10
 Electrical insulation: Totally insulated
 Halogen Free

Temperatures:

Continuous °C : -25 ... +60 °C



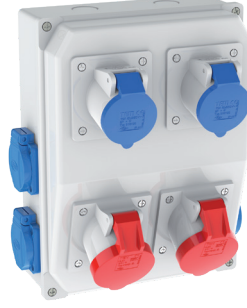
SECTION A-A

| | | Inner Quantity | Dimensions | Gross Weight | CBM |
|-------------------------|-----------|----------------|------------|--------------|-------|
| Packing Details: | Box | 1pcs | 21x29x12cm | 1.41kg | 2.44 |
| | Cardboard | 27pcs | 74x52x59cm | 34.50kg | 72.61 |



355.0000.4160.028

2(4x16A) CEE IP44
8(1x16A) Schuko IP54



355.4160.3160.224

2(4x16A) CEE IP44 / 2(3x16A) CEE IP44
4(1x16A) Schuko IP54



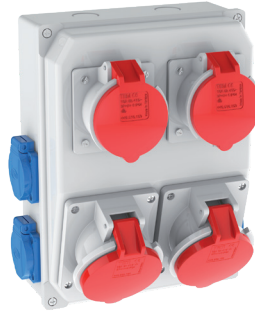
355.3320.3160.224

2(3x32A) CEE IP44 / 2(3x16A) CEE IP44
4(1x16A) Schuko IP54



355.4160.4320.224

2(4x16A) CEE IP44 / 2(3x32A) CEE IP44
4(1x16A) Schuko IP54



355.5320.5160.224

2(5x32A) CEE IP44 / 2(5x16A) CEE IP44
4(1x16A) Schuko IP54



355.0000.5320.024

2(5x32A) CEE IP44
4(1x16A) Schuko IP54



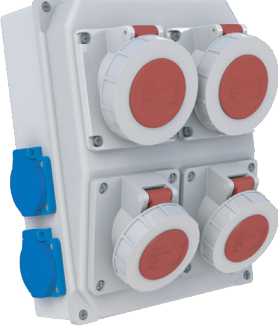
355.0000.5321.040
4(5x32A) CEE IP67



355.3321.5321.220
2(3x32A) CEE IP67
2(5x32A) CEE IP67



355.4321.5321.220
2(4x32A) CEE IP67
2(5x32A) CEE IP67



355.4321.4161.224
2(4x32A) CEE IP44 / 2(4x16A) CEE IP44
4(1x16A) Schuko IP54



355.4320.5160.220
2(4x32A) CEE IP44 / 2(5x16A) CEE IP44



Product type:

Combination Box

K300

Dimention:

113 x 113 x 75 mm

5.2 x 5.2 x 2.9 inch

CODE: 456.0000.0000.000

TECHNICAL DETAILS



Materials:

Plastic Opaque Cover: ABS RAL 7035 -Light Grey

Plastic Transparent Cover: Polycarbonate -Grey Transparent

Plastic Case Body: ABS RAL 7035 -Light Grey

Gasket: Polyurethane

Rating:

Standard: EN 60670-1

Ingress Protection (EN 60529): IP67

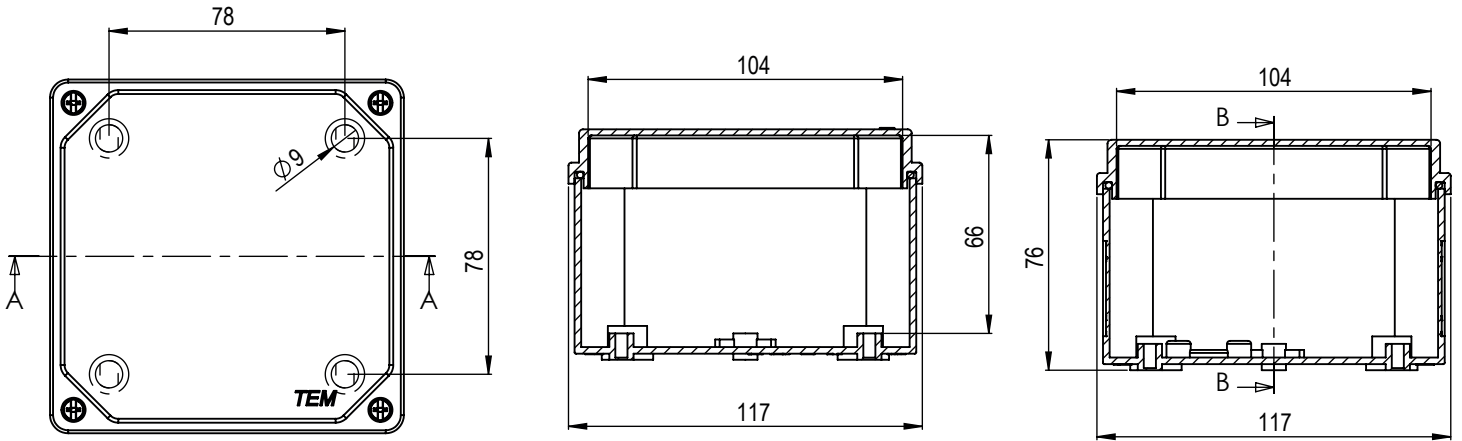
Impact Resistance (EN 60068-2-75): IK10

Electrical insulation: Totally insulated

Halogen Free

Temperatures:

Continuous °C : -25 ... +60 °C



Packing Details:

| | Inner Quantity | Dimensions | Gross Weight | CBM |
|-----------|----------------|------------|--------------|-------|
| Box | 12pcs | 36x17x24cm | 2.249kg | 4.9 |
| Cardboard | 168pcs | 74x52x59cm | 29.20kg | 75.68 |



456.0000.4160.012
1(4x16A) CEE IP44
2(1x16A) Schuko IP44



456.0000.5160.012
1(5x16A) CEE IP44
2(1x16A) Schuko IP44



Product type:

Combination Box

K300

Dimention:

113 x 113 x 75 mm

5.2 x 5.2 x 2.9 inch

CODE: 356.0000.0000.000

TECHNICAL DETAILS



Materials:

Plastic Opaque Cover: ABS RAL 7035 -Light Grey

Plastic Transparent Cover: Polycarbonate -Grey Transparent

Plastic Case Body: ABS RAL 7035 -Light Grey

Gasket: Polyurethane

Rating:

Standard: EN 60670-1

Ingress Protection (EN 60529): IP44

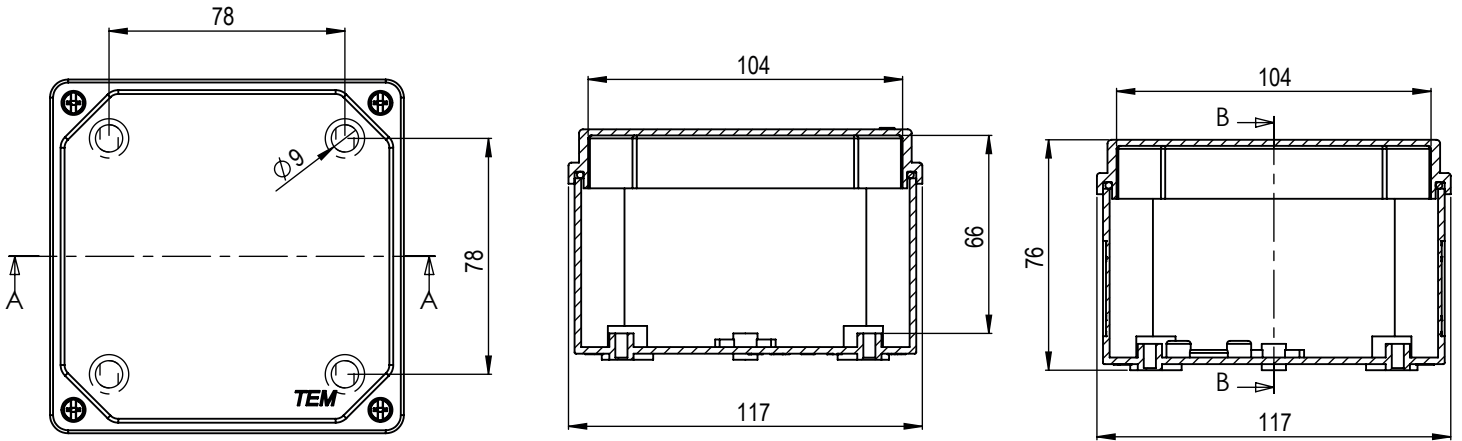
Impact Resistance (EN 60068-2-75): IK10

Electrical insulation: Totally insulated

Halogen Free

Temperatures:

Continuous °C : -25 ... +60 °C



Packing Details:

| | Inner Quantity | Dimensions | Gross Weight | CBM |
|-----------|----------------|------------|--------------|-------|
| Box | 12pcs | 36x17x24cm | 2.249kg | 4.9 |
| Cardboard | 168pcs | 74x52x59cm | 29.20kg | 75.68 |



356.0000.4160.012
1(4x16A) CEE IP44
2(1x16A) Schuko IP44



356.0000.5160.012
1(5x16A) CEE IP44
2(1x16A) Schuko IP44



Product type:

Combination Box

K400

Dimention:

110 x 210 x 73 mm

4.3 x 8.2 x 2.8 inch

CODE: 457.0000.0000.000

TECHNICAL DETAILS



Materials:

Plastic Opaque Cover: ABS RAL 7035 -Light Grey

Plastic Transparent Cover: Polycarbonate -Grey Transparent

Plastic Case Body: ABS RAL 7035 -Light Grey

Gasket: Polyurethane

Rating:

Standard: EN 60670-1

Ingress Protection (EN 60529): IP67

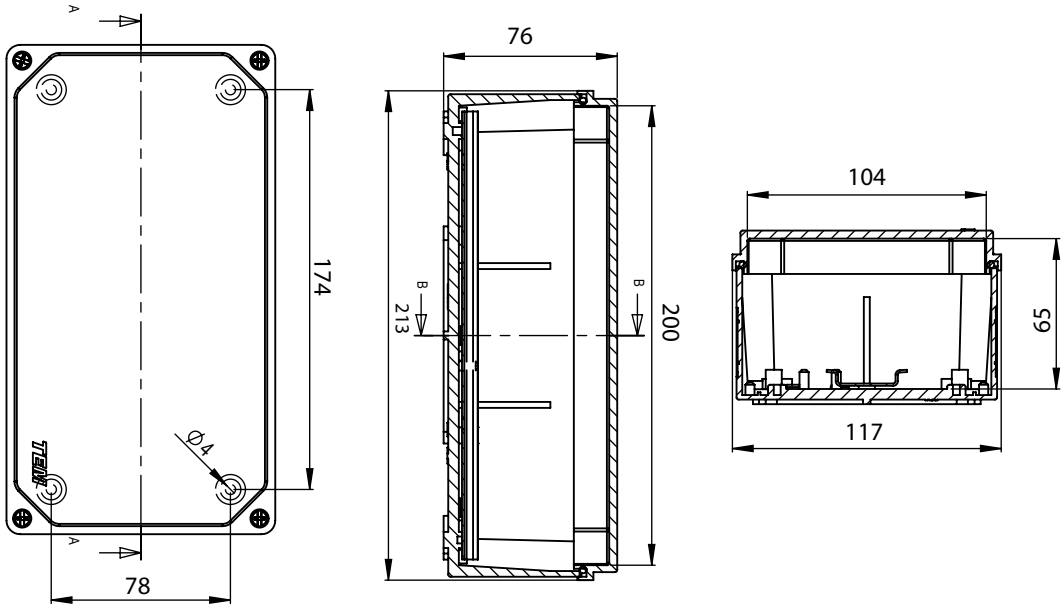
Impact Resistance (EN 60068-2-75): IK10

Electrical insulation: Totally insulated

Halogen Free

Temperatures:

Continuous °C : -25 ... +60 °C



Inner Quantity

Dimensions

Gross Weight

CBM

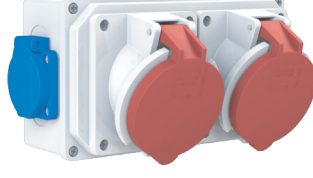


Packing Details:

| | Inner Quantity | Dimensions | Gross Weight | CBM |
|-----------|----------------|------------|--------------|-------|
| Box | 6pcs | 36x17x24cm | 2.09kg | 4.9 |
| Cardboard | 84pcs | 74x52x59cm | 25.60kg | 72.61 |



457.0000.4320.022
2(4x32A) CEE IP44
2(1x16A) Schuko IP44



457.0000.5320.022
2(5x32A) CEE IP44
2(1x16A) Schuko IP44



Product type:

Combination Box

K400

Dimention:

110 x 210 x 73 mm

4.3 x 8.2 x 2.8 inch

CODE: 357.0000.0000.000

TECHNICAL DETAILS



Materials:

Plastic Opaque Cover: ABS RAL 7035 -Light Grey

Plastic Transparent Cover: Polycarbonate -Grey Transparent

Plastic Case Body: ABS RAL 7035 -Light Grey

Gasket: Polyurethane

Rating:

Standard: EN 60670-1

Ingress Protection (EN 60529): IP44

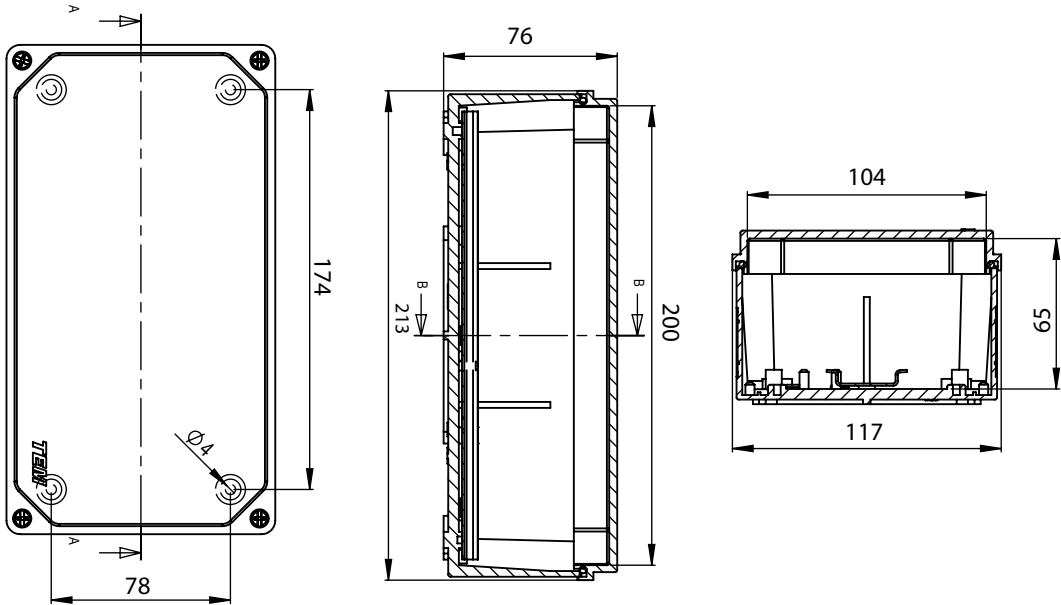
Impact Resistance (EN 60068-2-75): IK10

Electrical insulation: Totally insulated

Halogen Free

Temperatures:

Continuous °C : -25 ... +60 °C



Inner Quantity

Dimensions

Gross Weight

CBM



Packing Details:

Box

6pcs

36x17x24cm

2.09kg

4.9

Cardboard

84pcs

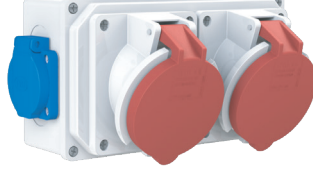
74x52x59cm

25.60kg

72.61



357.0000.4320.022
2(4x32A) CEE IP44
2(1x16A) Schuko IP44



357.0000.5320.022
2(5x32A) CEE IP44
2(1x16A) Schuko IP44